

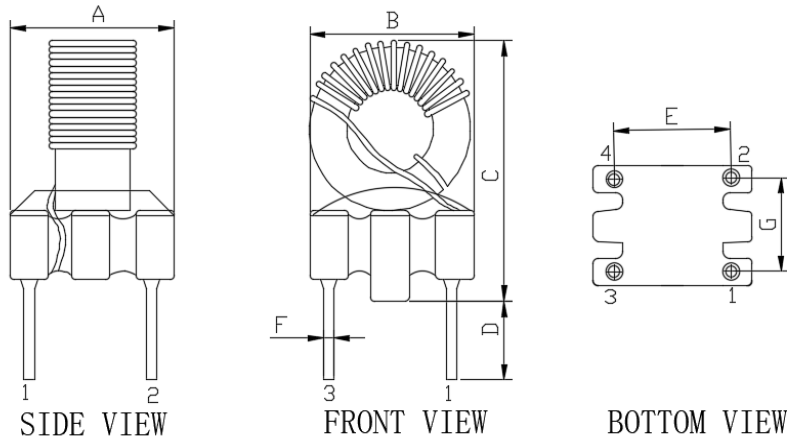
CUSTOMER

Q

JIUFENG P/N :

T633-0.3*2P*6TS+BASE

1, MECHANICAL DIMENSION: (UNIT:mm)



DIMENSION:(mm)

A	6MAX.
B	8MAX.
C	10.5MAX.
D	3.5±0.5
E	2.5±0.5
F	0.5±0.1
G	2.5±0.5

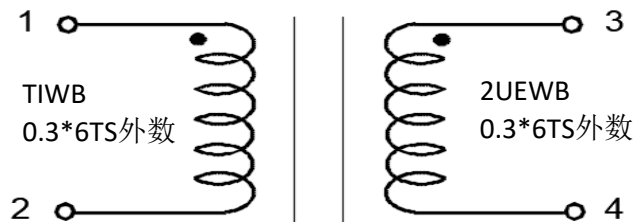
备注：φ0.3三层绝缘线和本色漆包线双线并绕，需含浸。立式装底座

2.ELECTRICAL CHARACTER:

(1). INDUCTANCE :AT: 1KHZ 1V (TH2816B) (100Ω)

L(1-2):150uH~450uH

L(3-4):150uH~450uH



(2). DC RESISTANCE : AT: 25 °C

DCR(1-2): 50mΩMAX

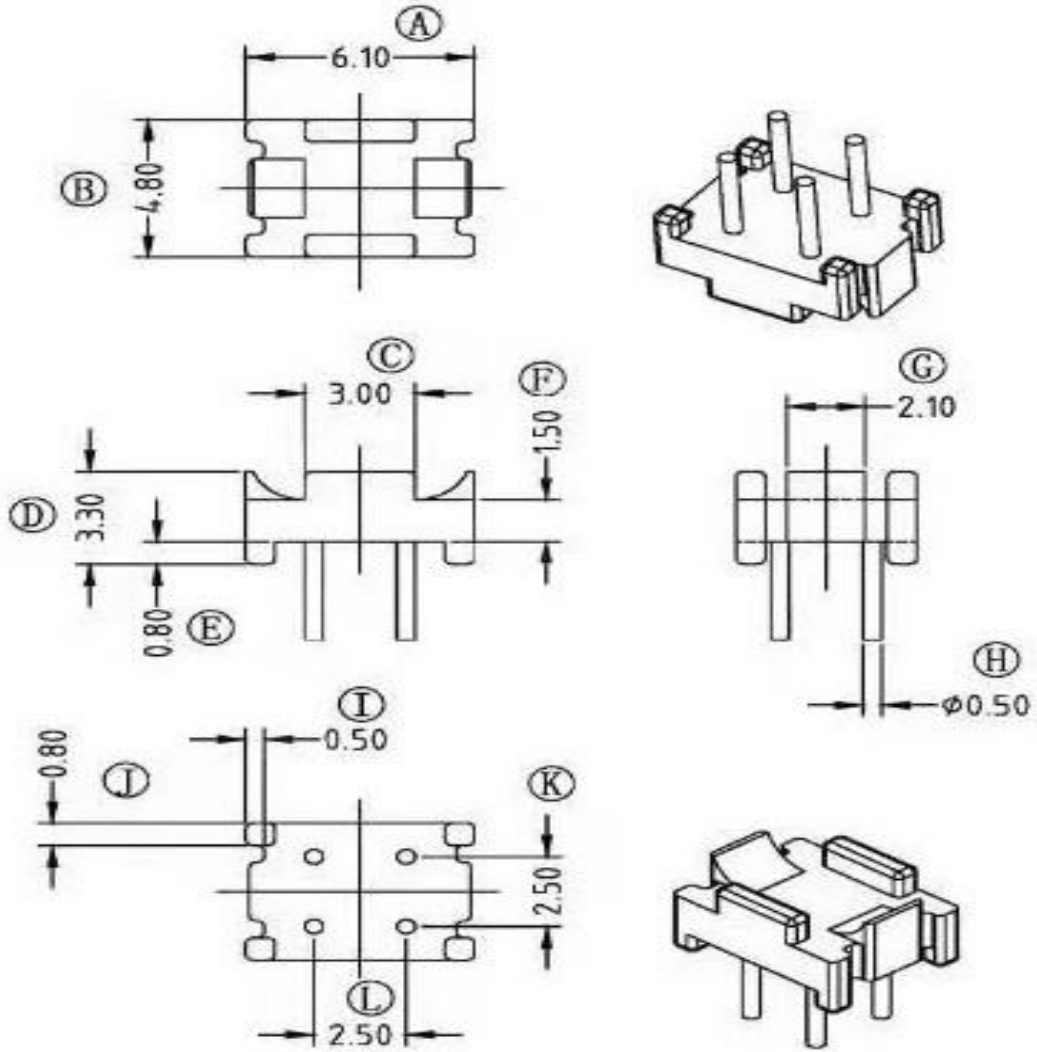
DCR(3-4):50mΩMAX

中山市玖丰电子有限公司 ZHONGSHAN JIUFENG ELECTRONICS CO.,LTD.	DESIGN BY	CHANGE BY	APPROVED BY	CUSTOMER P/N	
	XX	XXX	XXX	DOCUMENT NO./Rev	
				DATE	2022/5/27
				SHEET_OF_	2/6

CUSTOMER	Q	JIUFENG P/N :	T633-0.3*2P*6TS+BASE
----------	---	---------------	----------------------

BASE图纸 (供应商代号JY或QH)

DIMENSION:(mm)



中山市玖丰电子有限公司 ZHONGSHAN JIUFENG ELECTRONICS CO., LTD.	DESIGN BY	CHANGE BY	APPROVED BY	CUSTOMER P/N	
	XX	XXX	XXX	DOCUMENT NO./Rev	
				DATE	2022/5/27
				SHEET_OF_	2/6

CUSTOMER	Q	JIUFENG P/N :	T633-0.3*2P*6TS+BASE
----------	---	---------------	----------------------

Material List:

NO.	Items	Material	Suppliers	UL NO.
1	Core	T6*3*3-C AL=4uH	FUSIYUAN ELECTRONICS CORPORATION OR EQUIVALENT	/
2	Copper Wire	2UEW-B+TIW-B	HONGQI OR YIDA ELECTRIC WIRE	E344055
3	BASE	SW-U49 (T375J)	CHANG CHUN PLASTICS CO.,LTD	E59481
4	VARNISH	CB-1032	YUEXIN	

中山市玖丰电子有限公司 ZHONGSHAN JIUFENG ELECTRONICS CO., LTD.	DESIGN BY	CHANGE BY	APPROVED BY	CUSTOMER P/N	
	XX	XX	XXX	DOCUMENT NO. /Rev	
				DATE	2022/5/27
				SHEET_OF_	4/6

中山市玖丰电子有限公司
尺寸测量分布报告

CUSTOMER:Q			CUSTOMER P/N:				CUSTOMER REV:			TEST DATE:2022/5/27	
PART NAME:CHOKE COIL			JF PART NO:T633-0.3*2P*6TS+BASE				JF REV: 01			QUANTITY:5PCS	
TEST ITEM	A	B	C	D	E	F	G	H	I	J	K
SPEC.	6.00	8.00	10.50	3.50	2.50	0.50	2.50				
	MAX	MAX	MAX	±0.5	±0.5	±0.1	±0.5				
01	4.90	6.91	9.36	3.38	2.49	0.50	2.50				
02	4.92	6.93	9.45	3.41	2.50	0.50	2.50				
03	4.89	6.95	9.44	3.40	2.50	0.50	2.50				
04	4.91	6.91	9.46	3.38	2.49	0.50	2.50				
05	4.93	7.01	9.47	3.47	2.50	0.49	2.49				
06											
07											
08											
09											
10											
11											
12											
13											
14											
15											
\bar{X}	4.91	6.94	9.44	3.41	2.50	0.50	2.50				
σ	0.014	0.037	0.039	0.033	0.005	0.004	#####				
Cpk	115.73	62.38	80.05	34.31	169.83	41.50	#####				
<p>1. TEST INSTRUMENTS:</p> <p><input checked="" type="checkbox"/> HP-4284A METER</p> <p><input type="checkbox"/> VR113G+VR712+VR712 METER</p> <p><input type="checkbox"/> CH-101 LCR METER</p> <p><input type="checkbox"/> CH-101+CH301 METER</p> <p><input type="checkbox"/> CH-310 METER</p> <p><input checked="" type="checkbox"/> VR562 METER</p> <p><input checked="" type="checkbox"/> CH-502B DCR METER</p> <p>2.CONDITION</p> <p>TEMPERATURE: 25°C</p> <p>HUMIDITY: % RH</p>											
APPROVED BY				CHECKED BY				PREPARED BY			
XX				XX				XXX			

中山市玖丰电子有限公司

特性测试报告

CUSTOMER:Q		CUSTOMER P/N:			CUSTOMER REV:	TEST DATE:2022/5/27	
PART NAME:CHOKE COIL		JF PART NO:T633-0.3*2P*6TS+BASE			JF REV: 01	QUANTITY:5PCS	
TEST ITEM	L(1-2)	L(3-4)		DCR(1-2)	DCR(3-4)		
TEST CONDITION	1KHZ 1V (100Ω)			25℃			
SPEC.	150~450 uH	150~450 uH		50mΩ MAX	50mΩ MAX		
01	320.00	320.00		21.00	20.62		
02	350.00	350.00		20.63	20.62		
03	352.00	352.00		20.71	20.70		
04	321.00	321.00		20.68	20.67		
05	280.00	80.00		20.65	20.64		
06							
07							
08							
09							
10							
11							
12							
13							
14							
15							
\bar{X}	324.60			20.73			
σ	26.150			0.136			
Cpk	#REF!			#REF!			

1. TEST INSTRUMENTS:

- HP-4284A METER
 HP-4285A METER
 HP-4191A METER
 CH-3200 METER
 CH-310 METER
 CH-3305 METER
 VR113+VR712 METER
 WK3260B+3265B METER
 VR562 METER
 CH-502B DCR METER

2. CONDITION

TEMPERATURE: 25℃
HUMIDITY: %RH

APPROVED BY

ECKED

PREPARED BY

XX

XXX